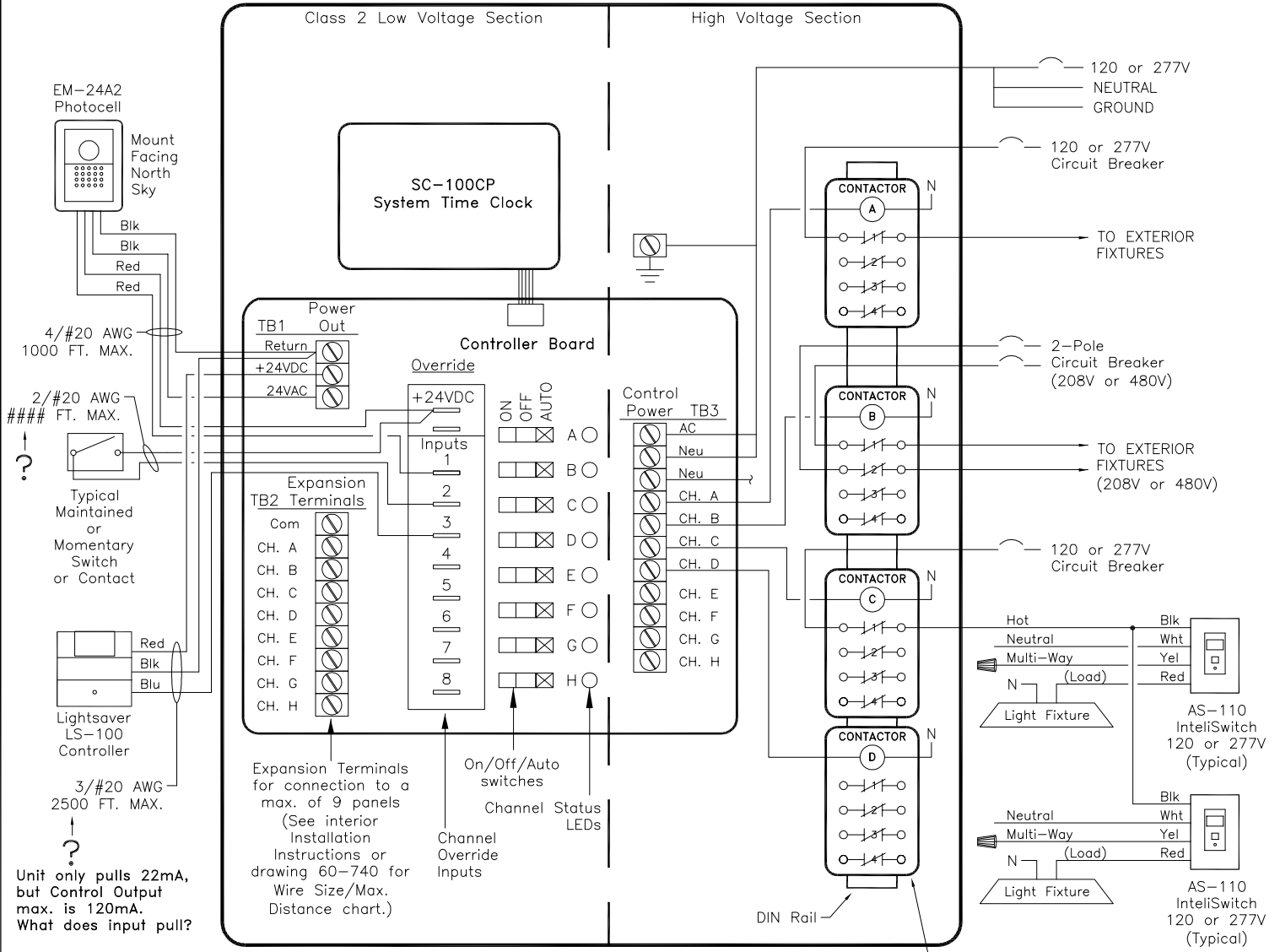


WATT STOPPER BASIC CONTACTOR PANEL

(Actual Panel Size and Control Configurations will Vary)



Note:
 All low voltage wiring to be #20 AWG or larger.
 This panel provides a total of 350 mA at 24V (AC or DC) for accessory devices. The maximum number of sensors, etc., depends on the power consumption of each unit. See product cutsheets for power consumption data, and Technical Bulletin #TB-124 for wire size/max. distance chart.

CHANNEL INPUTS MAY BE CONFIGURED IN 1 OF 4 WAYS	
INPUT TYPE	SET-UP / OPERATION
Pushbutton	When pushbutton is momentarily pushed (closed), assigned channels change state (turn OFF if presently ON, turn ON if presently OFF). Channel will remain in ON/OFF state until the next clock time scheduled event changes the channel's ON/OFF state.
Auto/ON	When switch is ON (closed), assigned channels turn ON regardless of time schedules. When switch is OFF (open), channels operate automatically according to programmed schedules.
Maintained	When switch is ON (closed), assigned channel(s) turn ON. When switch is OFF (open), assigned channel(s) turn OFF. Channel(s) will remain in switched ON/OFF state until the next clock time scheduled event changes the channel(s).
Photocell	This will hold OFF any channel scheduled to turn ON until the photocell detects it is dark.

REVISION # 1	DATE: 11/13/2002	BY: JCW
<i>Basic Contactor Misc. Layout</i>		
DRAWN BY: BLW	LIGHTING CONTROL DRAWINGS	JOB NO.
DATE: 03-15-2002	SCALE: NONE	
Typical Wiring		DRAWING BC_Misc
The Watt Stopper, Inc. 3070 Green Valley Road Birmingham, AL 35243		Phone: 205-271-3400 Fax: 205-271-3450