



EM Photocell

- ◆ Automatically turns lighting on and off
- ◆ 1 - 15 footcandle range
- ◆ Eight second on/off time delay
- ◆ Isolated relay contacts 1 amp @ 30 VAC/VDC
- ◆ Contacts closed when dark, open when light
- ◆ Power input: 24 VAC, 1 VA or 24 VDC, 1 VA
- ◆ Adjustable aperture window for varying on setpoint
- ◆ Raintight gray plastic enclosure
- ◆ Mounts on standard 1/2" conduit fitting
- ◆ Size: 2.64"x 1.57"x 1.89" (67.0mm x 40.0mm x 48.0mm)
- ◆ One year warranty



Component Information

Operation

The EM is a low voltage photocell used for operating exterior lighting. It signals light levels to Watt Stopper lighting control panels and power packs that control exterior lighting.

The EM photocell is designed to provide an ON signal when the ambient light level drops below a preset "dark" setpoint, thus turning on exterior light fixtures. It then provides a signal off as the ambient light level raises above the preset "light" setpoint. The setpoint can easily be changed for specific applications by opening and closing the photocell's aperture window.

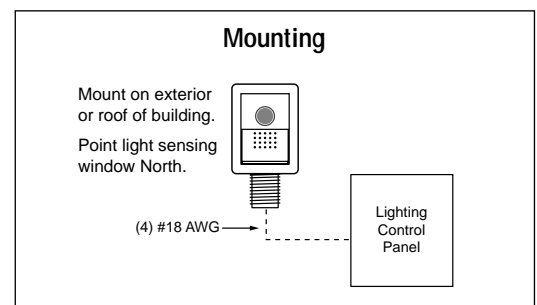
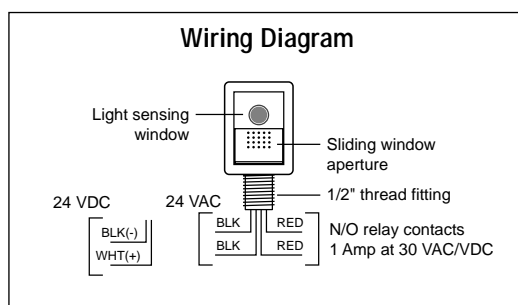
The EM is typically mounted on the exterior or roof of a building with the light level window facing the northern sky. Normally, power is supplied from the lighting control panel or a power pack. The relay contact red wires are connected to the lighting control panel or to a low voltage controlled load. The low voltage advantages of the photocell make it safe to use and simple to wire and install.

Features

The EM photocell has one set of normally open, isolated relay contacts rated for 1 Amp at 30 VAC/VDC. These contacts are closed when the sensed light level is below the dark setpoint and open when the light level is above the light setpoint. An 8-second time delay and built-in setpoint deadband prevent the photocell from short cycling. The 1/2" threaded male conduit base makes it easy to mount the photocell on conduit fittings or junction boxes.

Ordering Information

Catalog No.	Description
EM-24A2	Exterior photocell , 24 VAC
EM-24D2	Exterior photocell, 24 VDC



The Watt Stopper®, Inc.

2800 De La Cruz Blvd.
Santa Clara, CA 95050

Tel: (408) 988-5331
Fax: (408) 988-5373

National Technical Support
(800) 879-8585