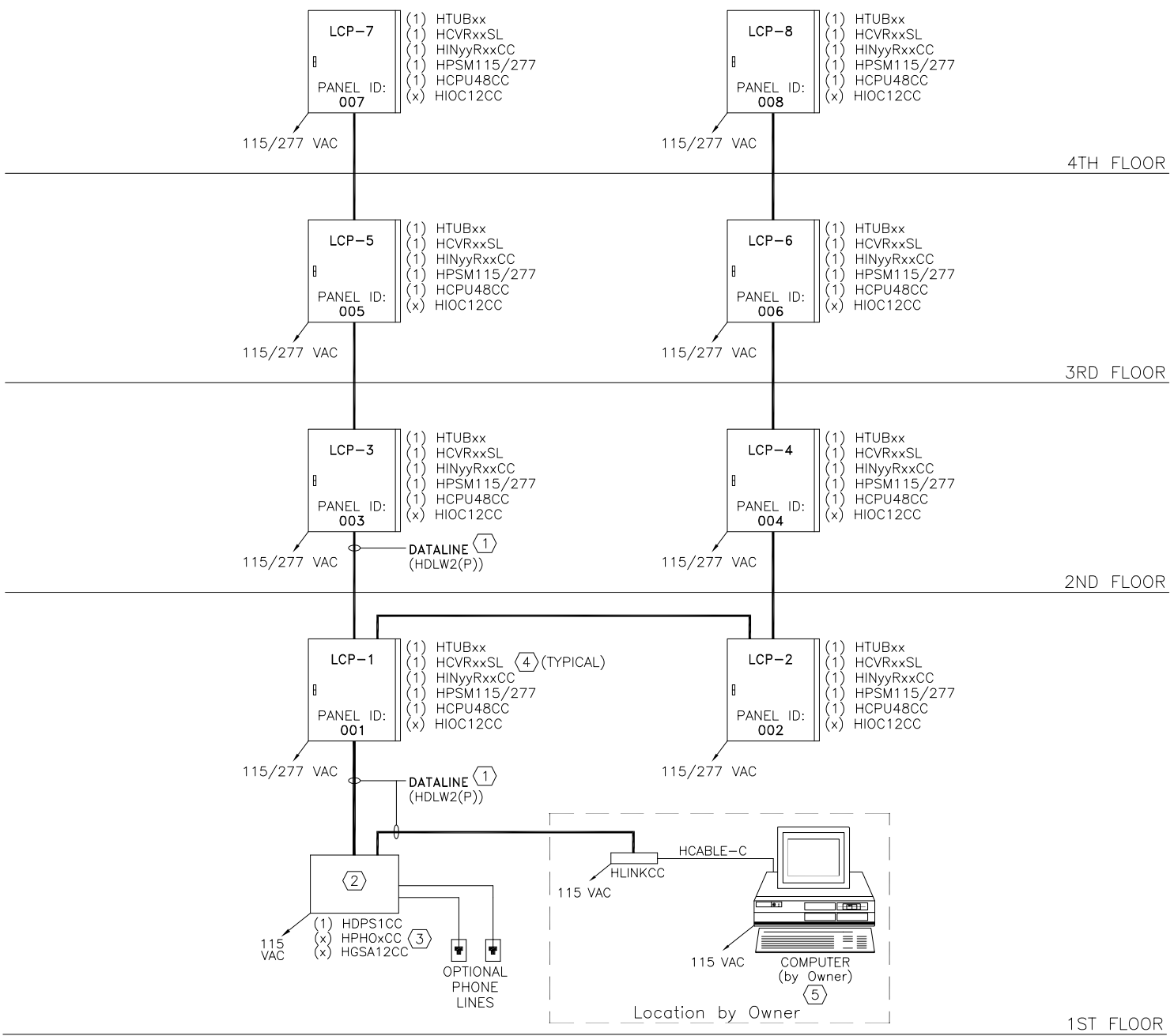
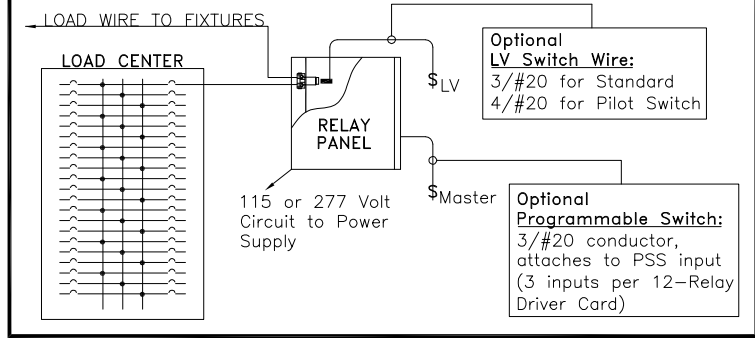


TYPICAL RELAY PANEL CONNECTIONS



NOTES:

- ① THE 2/#18 TWISTED, SHIELDED DATALINE (HDLW2(P)) CAN BE SPLICED AT ANY POINT AS LONG AS PROPER POLARITY IS OBSERVED. DO NOT GROUND THE SHIELD. THE DATALINE ROUTING SHOWN IS DIAGRAMMATIC ONLY.
- ② THE DATALINE POWER SUPPLY (HDPS1CC) CAN BE PLACED ANYWHERE ON THE DATALINE ACCESSIBLE TO OPTIONAL TELEPHONE LINES OR GLOBAL INPUTS.
- ③ ONE TELEPHONE OVERRIDE CARD (HPHO1CC OR HPHO2CC) AND TWO 12-INPUT GLOBAL INPUT CARDS (HGSA12CC) CAN BE INSTALLED IN A DATALINE POWER SUPPLY/OPTIONS PANEL (HDPS1CC).
- ④ xx = PANEL CAPACITY (12, 24 or 48 RELAYS)  
yy = QUANTITY OF FACTORY INSTALLED RELAYS  
ONE RELAY DRIVER CARD (HIOC12CC) IS REQUIRED FOR EACH BANK OF 12 RELAYS.
- ⑤ PC COMPUTER (BY OWNER) MUST BE RUNNING WINCONTROL SOFTWARE (BY WATT STOPPER).

*Sample Complete Control System Single Line*

DRAWN BY: JCW	LIGHTING CONTROL DRAWINGS	JOB NO.
DATE: 11-14-2002	SCALE: NONE	DRAWING
<b>Single Line</b>		SL-1
The Watt Stopper, Inc. 3070 Green Valley Road Birmingham, AL 35243		Phone: 205-271-3400 Fax: 205-271-3450