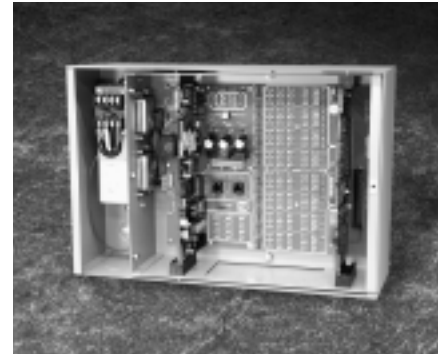




Networking Cards for CC Systems

- ◆ Optional plug-in cards for networked Complete Control systems
- ◆ Global Switch Annunciator card controls up to 12 status relays and programmable system switches
- ◆ Telephone Override card enables the override of relays and relay groups via touch-tone phones
- ◆ Global Switch Annunciator card enables a contact closure to execute dataline commands globally
- ◆ EEPROM 10-year data storage without power
- ◆ UL listed, one year warranty



Component Description

The Watt Stopper's Global Switch Annunciator and Telephone Override Cards are optional enhancements to a Complete Control panel system. These plug-in intelligence cards provide extended flexibility to the system's networking capabilities.

Global Switch Annunciator Operation

The Global Switch Annunciator card (HGSA12CC) allows 12 switches or contact closures to execute dataline commands globally throughout the system by controlling up to 12 programmable system switches. The global switch input will accept any isolated 2- or 3-wire contact, maintained or momentary switch. In addition to transmitting such a command, the card monitors the dataline activity related to any such commands, and tracks the status of relays and switches it controls. If an occupant overrides a switch or relay for a specific area, the card will cause this override to be announced at the central unit and provide local status through a contact closure. Up to 99 GSA cards can be added to a networked CC system.

Telephone Override Operation

The Telephone Override Card (HPHOxCC) enables occupants to override their lights on or off via their touch-tone phones. Available in 1- or 2-line configurations, each card supports up to 250 telephone override codes, with ON/OFF or ON only options for each code. Up to 12 relays or programmable system switches can be controlled by each code. Up to 10 phone cards can be installed in separate Networking Modules to support up to 2,500 phone codes per dataline in the largest facilities. Both cards install easily into the expansion slots located inside the Dataline Power Supply & Network Options Module.

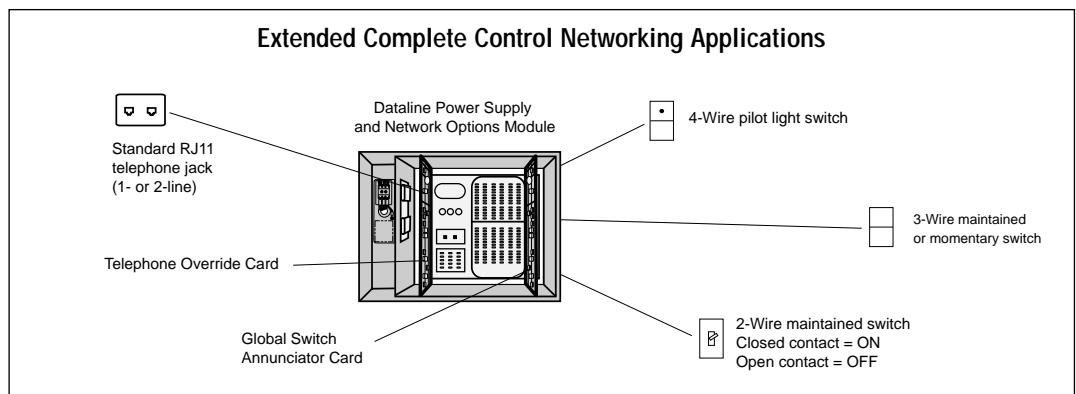
Ordering Information

Catalog No. Description

HGSA12CC	Global Switch Annunciator Card
HPHOxCC	Telephone Override Card

(x = Specify 1 for 1-line card, 2 for 2-line card)

Applications



The Watt Stopper®, Inc.

2800 De La Cruz Blvd.
Santa Clara, CA 95050

Tel: (408) 988-5331
Fax: (408) 988-5373

National Technical Support
(800) 879-8585