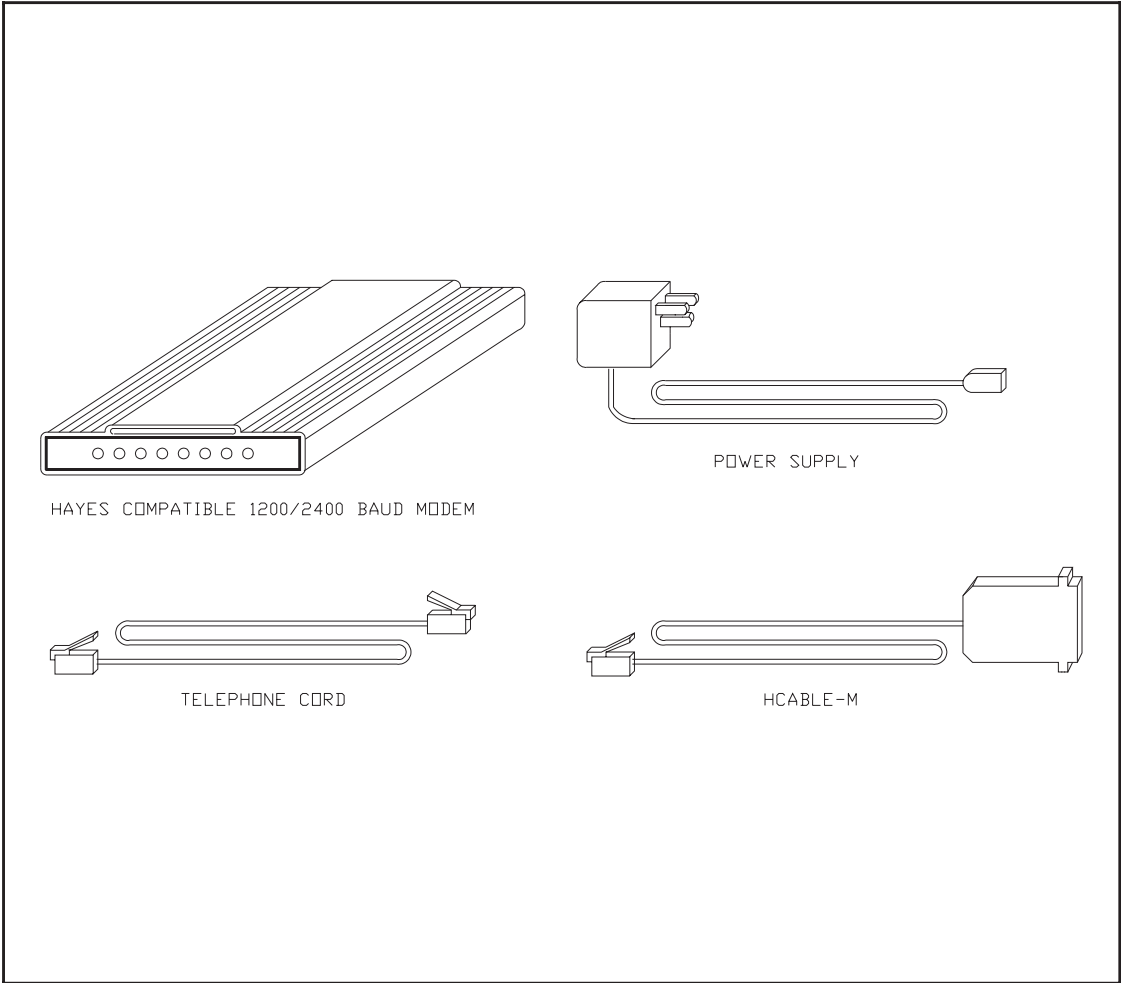


Submittal Drawing: HMODEM



HMODEM

DESCRIPTION

The HMODEM is a 14.4 Kbps (or greater) modem used to connect either a Lighting Control Panel (LCP) with a HCPU48CC intelligence card, or a HLINKCC dataline link to a telephone line for remote communications. The modem is supplied with an HCABLE-M, power supply and telephone cord, and is factory set up for connection to the lighting control system.

Optional configurations allow connection to a PC. Consult factory service for proper cables and modem configuration for use other than connection to the LCP or HLINKCC.

SPECIFICATIONS

Catalog #	HMODEM
Operating Environment	5-37 Degrees C (41-100F) 30-85% RH, Non-Condensing, Non-Corrosive atmosphere
Data Rate	300 - 14,400 bps
Interface	RS-232C
Modem Compatibility	Bell System 103 or 212A
Operation	Full or Half Duplex
Voltage	120 VAC
Codes	UL Listed

Job Name: _____	Page: ____ of ____