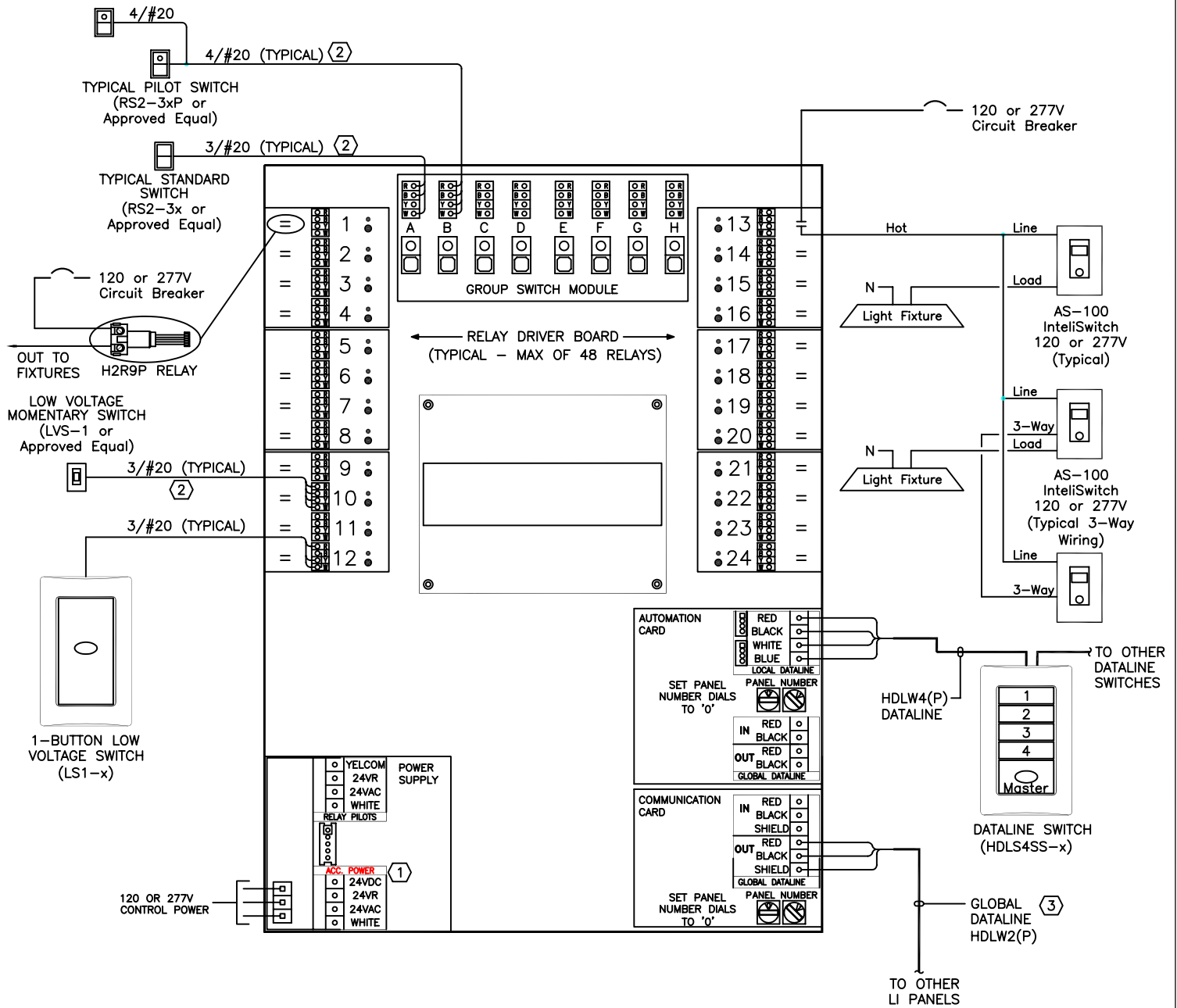


# TYPICAL 24-RELAY CAPACITY LIGHTING INTEGRATOR PANEL COMMUNICATION LEVEL



**NOTES:**

- ① THE MAXIMUM LENGTH OF A LOCAL DATALINE FROM EACH LI PANEL WITH AN AUTOMATION CARD IS 500m (1600ft) USING FREE TOPOLOGY WITHOUT A REPEATER AND 2700m (8800ft) USING LINEAR TOPOLOGY.
- ② MAXIMUM 1000 FEET WITH #20 AWG WIRE. ADDITIONAL SWITCHES CONTROLLING THE SAME ZONE CAN BE CONNECTED IN THE FIELD OR AT THE RELAY PANEL TERMINALS.
- ③ THE GLOBAL DATALINE IS A 2/#18 TWISTED, SHIELDED DATALINE (HDLW2(P)) SHOULD ONLY BE SPLICED IN THE LIGHTING CONTROL PANELS. THE DATA LINE MAY BE SPLICED TO FORM A STAR OR FREE TOPOLOGY. DO NOT GROUND THE SHIELD.

B.O.M. FOR PANEL #x:

(1) - LI24S-24GAC-115

## Lighting Integrator Panel Detail

DRAWN BY: BJF	LIGHTING CONTROL DRAWINGS	JOB NO.
DATE: 08/25/05	SCALE: NONE	
Typical Wiring		DRAWING LC-1
Watt Stopper Legrand 2800 De La Cruz Blvd Santa Clara, CA 95050		Phone: 800-879-8585 Web: wattstopper.com