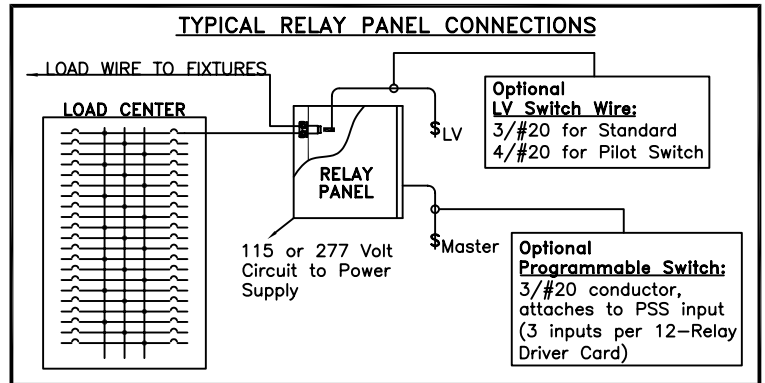


NOTES:

- ① THE GLOBAL DATALINE IS A 2/#18 TWISTED, SHIELDED DATALINE (HDLW2(P)) SHOULD ONLY BE SPLICED IN THE LIGHTING CONTROL PANELS. THE DATALINE MAY BE SPLICED TO FORM A STAR OF FREE TOPOLOGY IF REQUIRED. DO NOT GROUND THE SHIELD. THE DATALINE ROUTING SHOWN IS DIAGRAMMATIC ONLY.
- ② THE LOCAL DATALINE PROVIDES COMMUNICATION AND POWER TO DATALINE SWITCHES. THE MAXIMUM LENGTH OF A LOCAL DATALINE FROM EACH LI PANEL WITH AN AUTOMATION CARD IS 500m (1600ft) USING FREE TOPOLOGY WITHOUT A REPEATER AND 2700m (8800ft) USING LINEAR TOPOLOGY.
- ③ THE DATALINE POWER SUPPLY (HDPS1CC) CAN BE PLACED ANYWHERE ON THE DATALINE ACCESSIBLE TO OPTIONAL TELEPHONE LINES OR GLOBAL INPUTS.
- ④ ONE TELEPHONE OVERRIDE CARD (HPHO1CC OR HPHO2CC) AND TWO 12-INPUT GLOBAL INPUT CARDS (HGSA12CC) CAN BE INSTALLED IN A DATALINE POWER SUPPLY/OPTIONS PANEL (HDPS1CC).
- ⑤ xx = PANEL CAPACITY (8, 24 or 48 RELAYS)
y = ENCLOSURE TYPE: S=SURFACE, F=FLUSH
zz = QUANTITY OF FACTORY INSTALLED RELAYS
- ⑥ DESKTOP OR LAPTOP COMPUTER (BY OWNER) MUST BE RUNNING WINCONTROL SOFTWARE (BY WATT STOPPER).
- ⑦ A SINGLE DATALINE SWITCH BUTTON CAN CONTROL ANY GROUP OF RELAYS IN A SPECIFIC PANEL, OR, BY USING A CHANNEL, CAN CONTROL RELAYS IN MULTIPLE PANELS. AVAILABLE IN 1, 2, 4, OR 8 BUTTON SWITCHES



LIGHTING INTEGRATOR PART NUMBER CONSISTS OF THE FOLLOWING COMPONENTS:

- (1) ENCLOSURE
- (2) COVER
- (3) POWER SUPPLY
- (4) INTERIOR INCLUDING MOTHER BOARD, RELAY DRIVER CARDS, COMMUNICATION CARD, AUTOMATION CARD, GROUP SWITCH CARD(S), RELAYS INSTALLED IN BARRIER

**Lighting Integrator
Communication Level**

DRAWN BY: JCW	LIGHTING CONTROL DRAWINGS	JOB NO.
DATE: 08/31/05	SCALE: NONE	DRAWING
Single Line		SL-1
Watt Stopper - Legrand 2800 De La Cruz Blvd Santa Clara, CA 95050		Phone: 800-879-8585 Web: wattstopper.com