



Telephone Control Module for SWS

Component Information

- ◆ Voice-prompted telephone control module for Smartwired Switching System (SWS)
- ◆ Can control any relay or channel in Smartwired panel
- ◆ Communication/power via local dataline
- ◆ Optional pass code protection security
- ◆ Two operating modes (ON/OFF or ON Only)
- ◆ Enable/disable capability
- ◆ DIN rail mounting
- ◆ FCC Certified; one year warranty



The Watt Stopper's Telephone Control Module (HTELSS) allows building occupants to control lighting ON/OFF via a touch-tone phone. An optional module, it is designed for use with The Watt Stopper's Smartwired Control lighting control panels.

Operation & Features

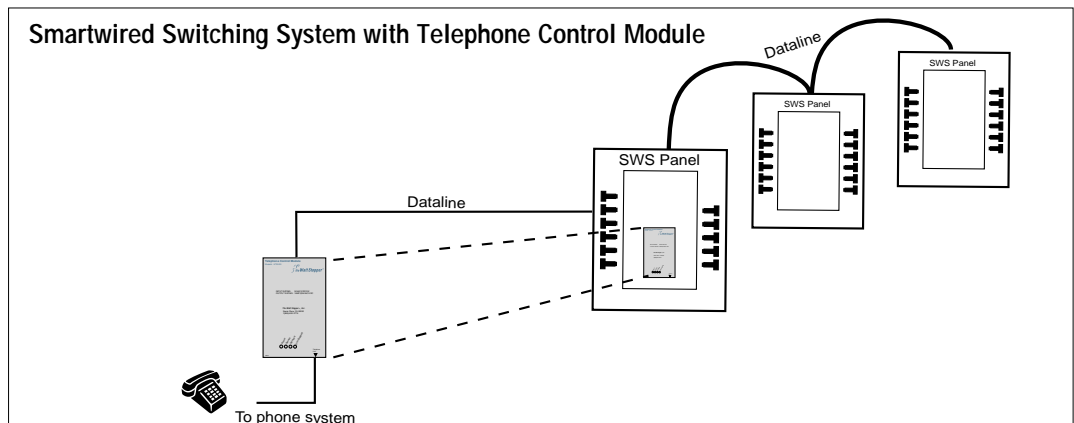
The Telephone Control Module connects to the SWS system via the local dataline, and to the phone system via a normal telephone line. Once connected, occupants may immediately call the unit to control lighting ON/OFF. The module is capable of controlling any relay or channel in an SWS network. Optional pass codes may be assigned for security purposes. Users can adjust the number of rings to access the system more quickly. Additional features include the ability to enable or disable the module altogether, and a choice of operational modes: ON/OFF or ON Only. While normal operating mode is ON/OFF, the module can be configured to track a specific relay to signal the ON Only mode. In this case, a caller into the system would only be able to turn lighting ON.

Applications

Suitable applications for the Telephone Control Module include offices, malls, schools, public buildings, and factories. It is ideal for use in both open and private offices, providing a convenient way to override lighting ON during after hour periods when lighting might normally be shut off. Another application is for maintenance or security control of building interior or exterior lighting from a cellular phone. The HTELSS can also be used as a simple solution for automating shedding of lighting loads. During an energy alert, a facility manager calls into the building's module and sheds non-critical loads with a simple touch-tone key sequence.

Ordering Information

Catalog No.	Description
HTELSS	Telephone Control Module for Smartwired Switching System



The Watt Stopper®, Inc.

2800 De La Cruz Blvd.
Santa Clara, CA 95050

Tel: (408) 988-5331
Fax: (408) 988-5373

National Technical Support
(800) 879-8585