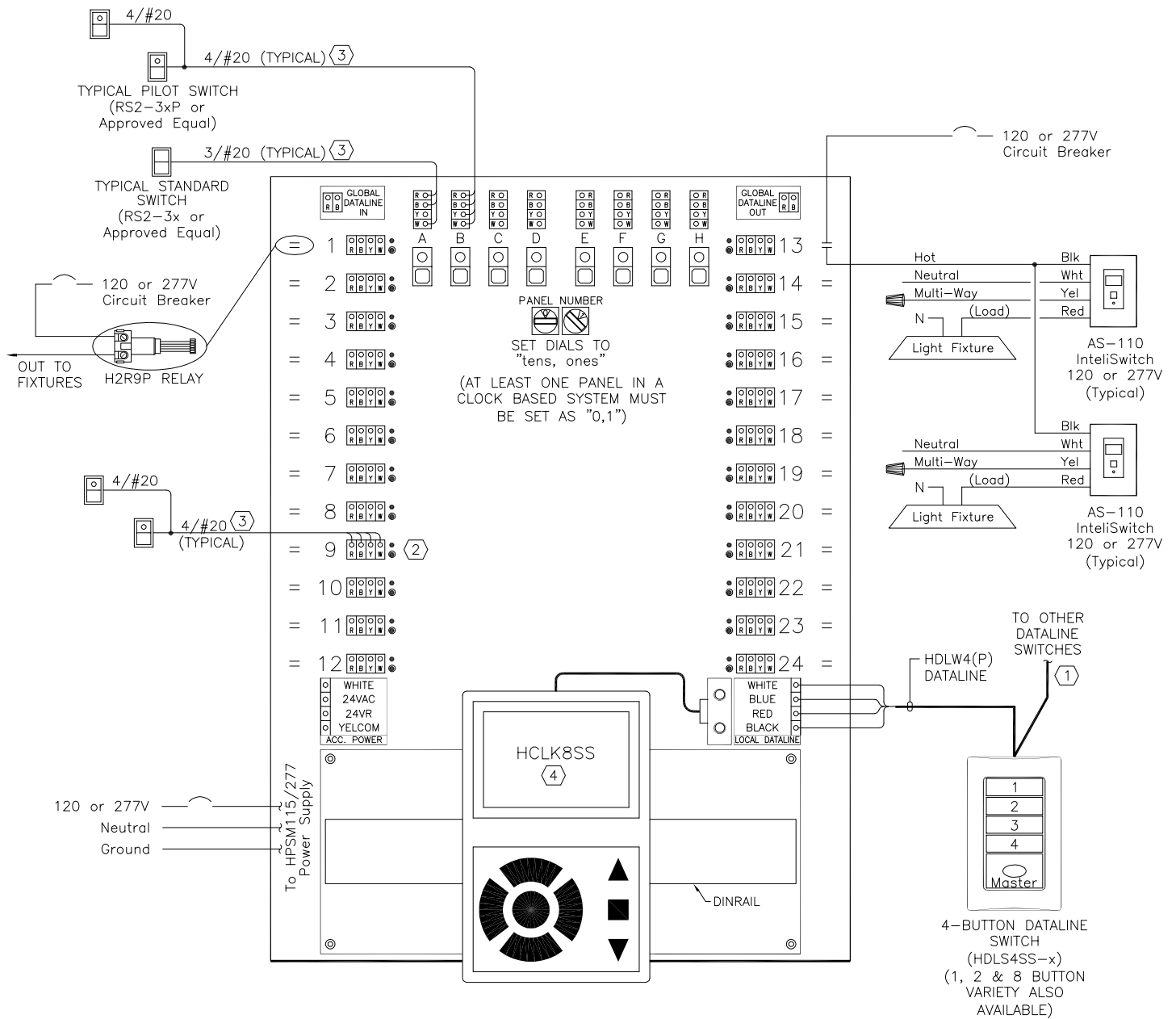


TYPICAL 24-RELAY CAPACITY SMARTWIRED SWITCHING SYSTEM PANEL



NOTES:

- (1) DATALINE SWITCHES CAN BE SPLICED INTO THE LOCAL DATALINE AT ANY POINT.
- (2) ONLY "SP" PANEL INTERIORS HAVE INPUTS AT THE RELAYS. "SS" PANELS HAVE ONLY EIGHT CHANNEL INPUTS.
- (3) MAXIMUM 1000 FEET WITH #20 AWG WIRE. ADDITIONAL SWITCHES CONTROLLING THE SAME ZONE CAN BE CONNECTED IN THE FIELD OR AT THE RELAY PANEL TERMINALS.
- (4) THE NETWORK CLOCK (HCLK8SS) CAN BE LOCATED IN ANY PANEL WITH ENOUGH SPACE ON THE LOW VOLTAGE DIN-RAIL (12-RELAY PANELS CAN HOLD ONE DEVICE, 24- AND 48-RELAY PANELS CAN HOLD TWO).

B.O.M. FOR PANEL #:

- (1) - HTUB24
- (1) - HCVR24SL
- (1) - HIN24R24SP
- (1) - HPSM115/277
- (1) - HCLK8SS

Smartwired Switching System Panel

DRAWN BY: JCW	LIGHTING CONTROL DRAWINGS	JOB NO.
DATE: 11/13/2002	SCALE: NONE	
Typical Wiring		DRAWING LC-1
The Watt Stopper, Inc. 3070 Green Valley Road Birmingham, AL 35243		Phone: 205-271-3400 Fax: 205-271-3450