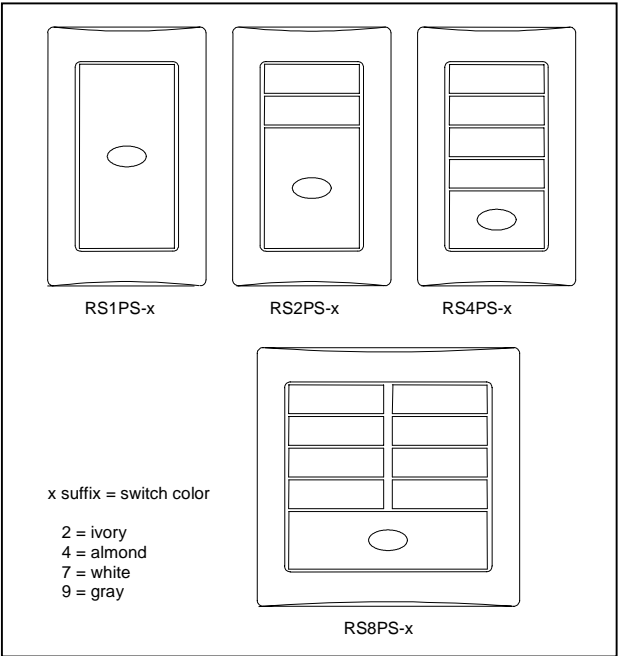
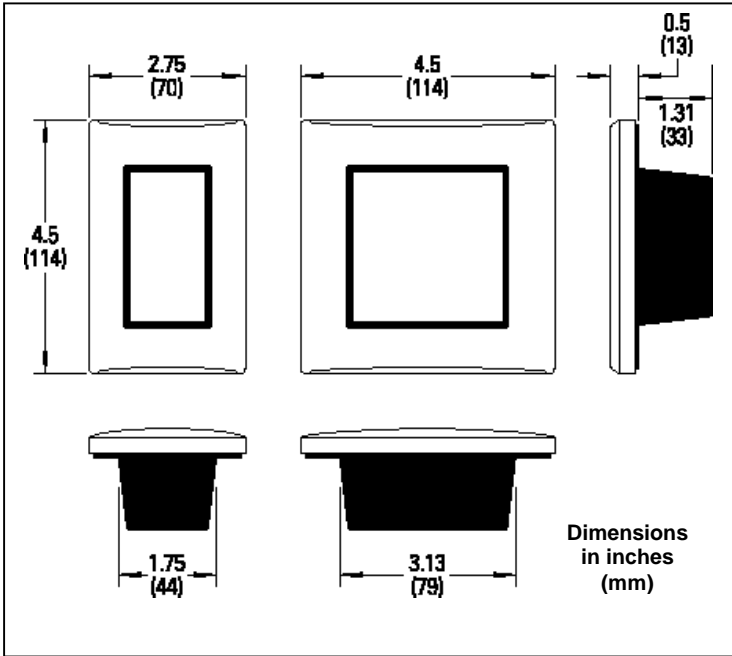


SUBMITTAL DRAWING: RSxPS-x(k)



DESCRIPTION

The RSxPS-x Dataline Switches are intelligent switch modules designed for use with the Softwired Switching System. The 1-, 2-, 4-, or 8-button units are connected to the relay panels over a single 4-wire dataline, and use “softwiring” rather than hardwiring to link occupant switches to relays.

Any button on a Softwired Switch may be softwired to:

- Any group of relays within a single relay panel.
- A channel within a single relay panel.
- The same channel among multiple panels (requires an RCLK8PS Softwired Clock).

Features:

1. Bi-color LED status for each switch button.
2. Locator light.
3. Removable lens caps for easy labeling (9mm or 3/8” clear laminated tape).
4. Matching screwless wallplate included with unit.
5. Master button defaults to Off/Restore; configurable for other options: All Off/All On, Off Only, or disabled.
6. Cleaning switch option.
7. Smart keylock option (-xk suffix).

SPECIFICATIONS

Description	Dataline Switches for Softwired Switching System	
Catalog #	<u>Standard</u>	<u>Keyed</u>
	RS1PS-x	RS1PS-xk
	RS2PS-x	RS2PS-xk
	RS4PS-x	RS4PS-xk
	RS8PS-x	RS8PS-xk
	(-x suffix represents switch color – refer to drawing above)	
Operating Environment	0-55 degrees C (32-131 F) 0-95% RH, non-condensing, Non-corrosive atmosphere	
Weight	1-gang units: 0.24 lbs/0.1 kg 2-gang units: 0.45 lbs/0.2 kg	
Power Requirements	24 VAC from PS relay panel over the “Local Dataline”	
Mounting	Standard wallbox 1 gang for 1, 2, and 4-button units 2 gang for 8-button unit	
Codes	UL 916 Energy Management	

